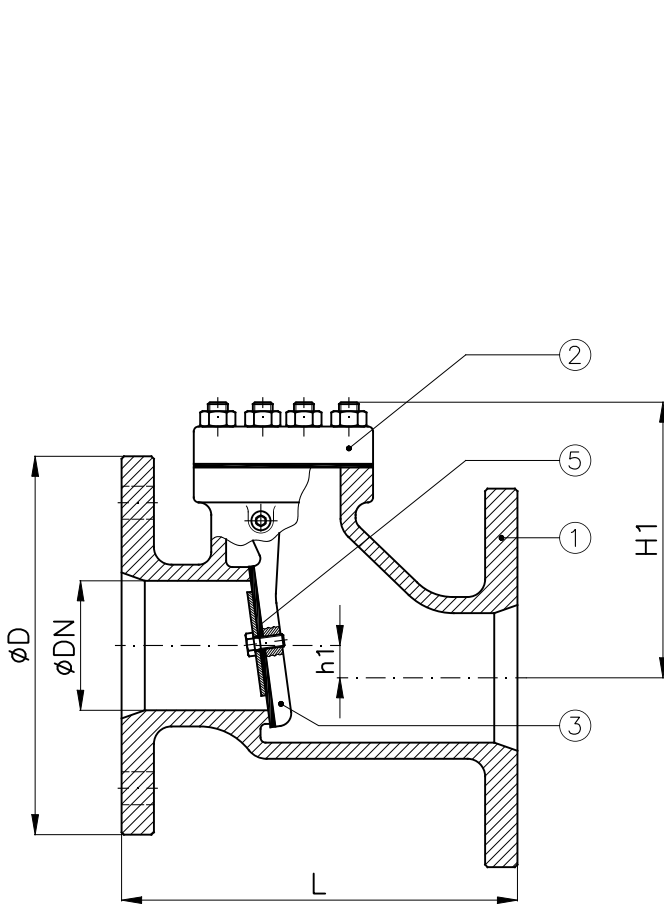
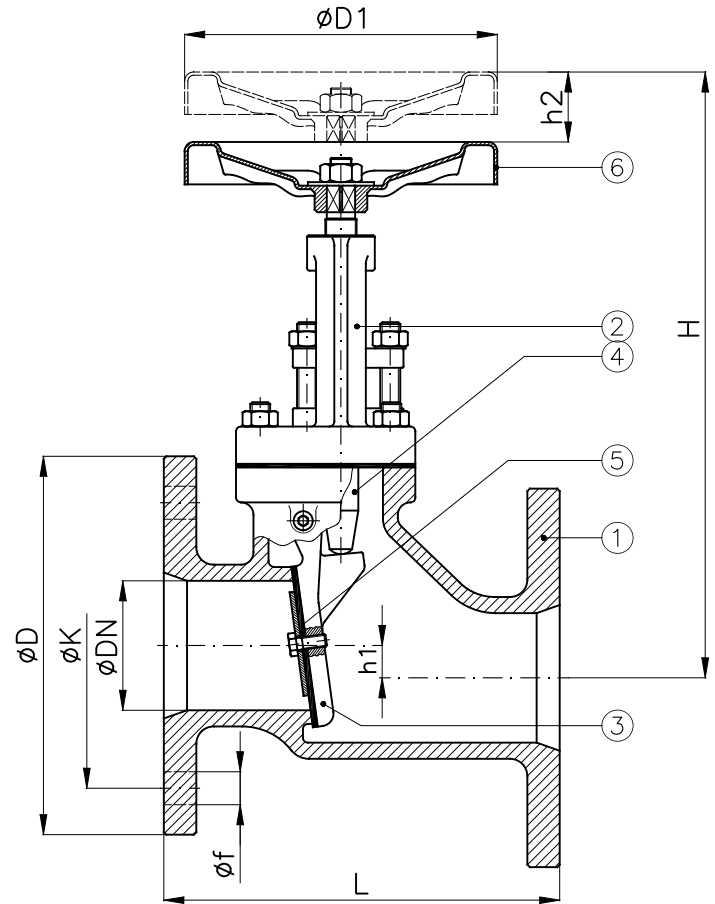




Conform to:
ANSI B16.10
ANSI B16.5



Tab.1223



Tab.1224
With control

DN	D1	H	H1	h1	h2	L	D	K	f	Holes No. f	Weight (Kg)
1"1/2	100	250	95	6.5	22	127.0	127	98	16	4	6.3
2"	100	275	115	12.7	32	158.75	152	121	19	4	8.3
2"1/2	100	305	135	12.7	35	177.8	178	140	19	4	16.6
3"	100	305	135	12.7	35	206.4	190	152	19	4	18.2
4"	150	360	175	15.9	40	266.7	229	191	19	8	40

Combinazione materiali standard – Standard materials Combination		
ITEM	DENOMINAZIONE DENOMINATION	B/B MATERIALE MATERIAL
01	Body	Bronze UNI EN1982 G-CuSn5Zn5Pb5
02	Cover	Bronze UNI EN1982 G-CuSn5Zn5Pb5
03	Disc	Bronze UNI EN1982 G-CuSn5Zn5Pb5
04	Stem	Brass CW617N (OT58)
05	Gasket	EPDM
06	Handwheel	Sheet of carbon steel

Nota: Combinazioni materiali non standard a richiesta
 Note: Non standard materials combinations on request