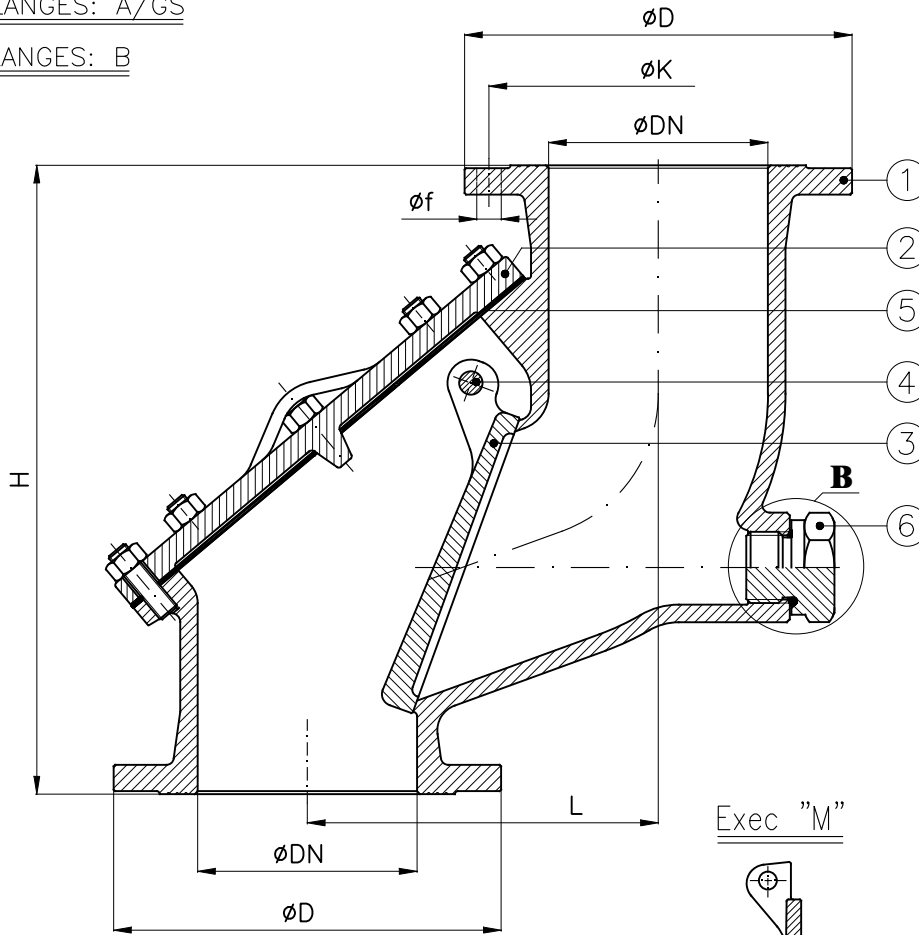




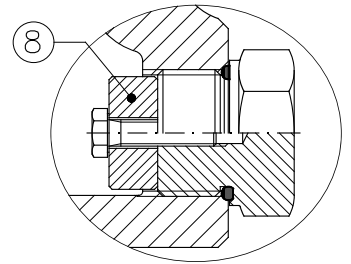
**Conform to:**  
**UNI EN1092**  
**NE407431**

RF FLANGES: A/GS

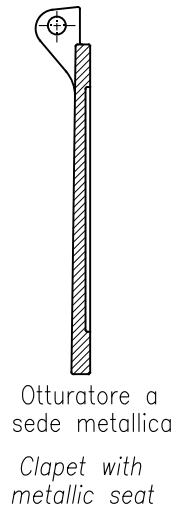
FF FLANGES: B



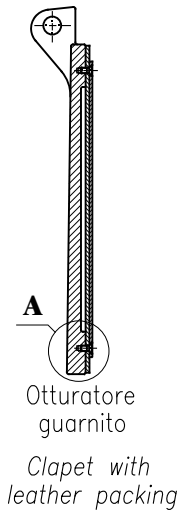
Dettaglio "B"  
Detail "B"  
A richiesta - On request



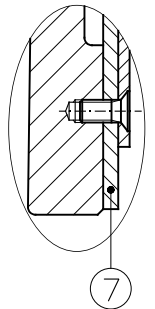
Exec "M"



Exec "L"



Dettaglio "A"  
Detail "A"



DN	L	H (-)	D	K	f	Holes No. f	Weight (Kg)
65	110	260	160	130	14	4	17
80	135	305	190	150	18	4	30
100	165	345	210	170	18	4	41
125	205	390	240	200	18	8	60
150	240	430	265	225	18	8	74
175	285	500	295	255	18	8	91
200	285	505	320	280	18	8	93
250	385	620	375	335	18	12	171

Combinazione materiali standard - Standard materials Combination

ITEM	DENOMINAZIONE DENOMINATION	A/316	A/B	B/B	GS/316	GS/B
		MATERIALE MATERIAL	MATERIALE MATERIAL	MATERIALE MATERIAL	MATERIALE MATERIAL	MATERIALE MATERIAL
01	Body	Cast steel GP240-GH UNI EN10213	Cast steel GP240-GH UNI EN10213	Bronze UNI EN1982 G-CuSn5Zn5Pb5	Nodular cast iron EN-GJS-400-15U UNI EN1563	Nodular cast iron EN-GJS-400-15U UNI EN1563
02	Bonnet	Cast steel GP240-GH UNI EN10213	Cast steel GP240-GH UNI EN10213	Bronze UNI EN1982 G-CuSn5Zn5Pb5	Nodular cast iron EN-GJS-400-15U UNI EN1563	Nodular cast iron EN-GJS-400-15U UNI EN1563
03	Disc	Stainless steel AISI316 UNI EN10088	Bronze UNI EN1982 G-CuSn5Zn5Pb5	Bronze UNI EN1982 G-CuSn5Zn5Pb5	Stainless steel AISI316 UNI EN10088	Bronze UNI EN1982 G-CuSn5Zn5Pb5
04	Pin	Stainless steel AISI316 UNI EN10088	Stainless steel AISI316 UNI EN10088	Stainless steel AISI316 UNI EN10088	Stainless steel AISI316 UNI EN10088	Stainless steel AISI316 UNI EN10088
05	Gasket	EPDM	EPDM	EPDM	EPDM	EPDM
06	Plug	Brass CW617N (OT58)	Brass CW617N (OT58)	Brass CW617N (OT58)	Brass CW617N (OT58)	Brass CW617N (OT58)
07	Disc seat	Metallic/leather packing	Metallic/leather packing	Metallic/leather packing	Metallic/leather packing	Metallic/leather packing
08	Sacrificial anode (≥ND150)	ZINC	ZINC	ZINC	ZINC	ZINC

Nota: Combinazioni materiali non standard a richiesta  
Note: Non standard materials combinations on request