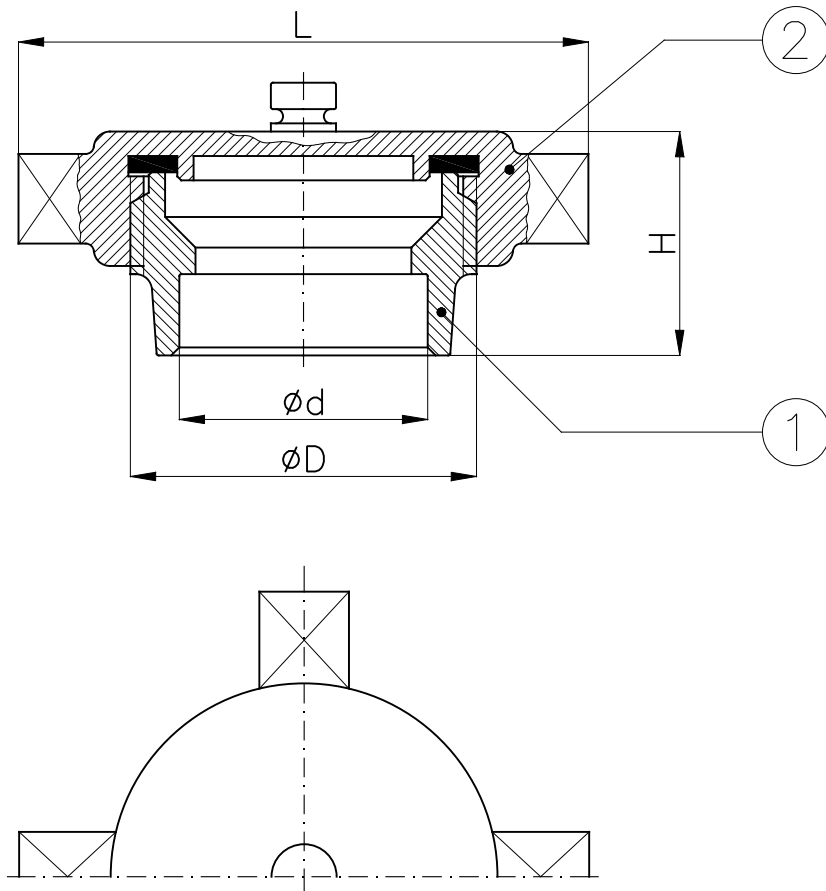




Conform to:
NU584411



Esecuzione a richiesta con ϕd filettato Gas (BSPP)
On request ϕd BSPP threaded

DN	D	d	H	L	Weight (Kg)	
25	1"	M56x4	34	50	90	0.5
40	1"1/2	M70x4	49	60	115	1.6
50	2"	M85x6	61	65	140	2.3

Combinazione materiali standard – Standard materials Combination			
		A/O	316/0
ITEM	DENOMINAZIONE DENOMINATION	MATERIALE MATERIAL	MATERIALE MATERIAL
01	Body	Carbon steel UNI EN10025 S275JR	Stainless steel AISI316 UNI EN10088
02	Plug	Brass CW617N (OT58)	Brass CW617N (OT58)
Nota: Combinazioni materiali non standard a richiesta Note: Non standard materials combinations on request			