



Raccordo a gomito in ottone EN1982 - Elbow coupling in brass EN1982

Tappo femmina forma "A" in ottone EN1982 - Female threaded blank cap "A" type italian standard in brass EN1982

Tappo femmina forma "B" in ottone EN1982 - Female threaded blank cap "B" type italian standard in brass EN1982

Tappo maschio forma "A" in ottone EN1982 - Male threaded blank cap "A" type italian standard in brass EN1982

Tappo maschio forma "B" in ottone EN1982 - Male threaded blank cap "B" type italian standard in brass EN1982

**Art.B29**

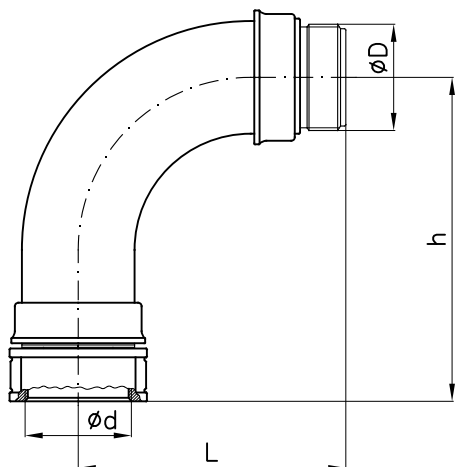
**Art.B9/A**

**Art.B10**

**Art.B11**

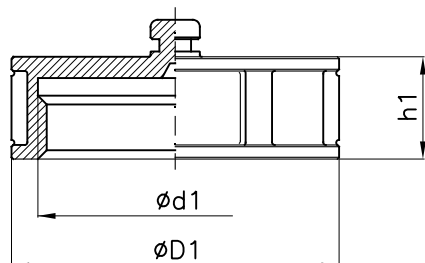
**Art.B49**

### Art. B29



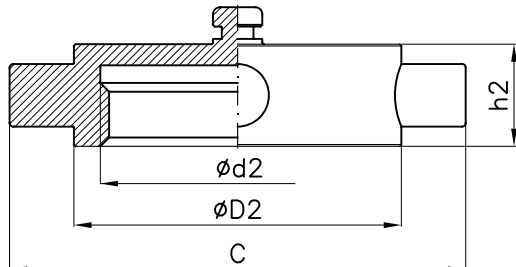
Tipo - Type	D	d	L	h
M45xFG45	M56x4	M56x4	162	167
M70xFG70	M85x6	M85x6	227	212

### Art. B9/A



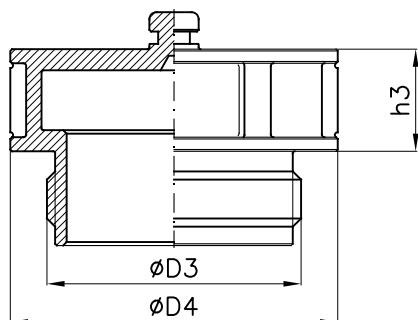
Tipo - Type	D1	d1	h1
UNI25 normale	48	M34x3	19
UNI45 normale	67	M56x4	23
UNI45 a norma UNI7421	75	M56x4	23
UNI70 normale	100	M85x6	29
UNI70 a norma UNI7421	105	M85x6	33

### Art. B10



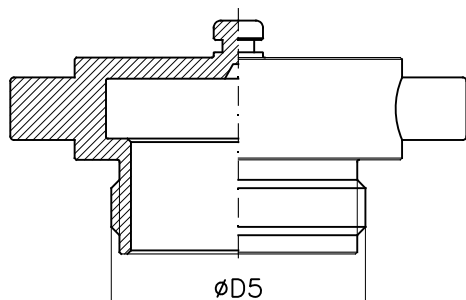
Tipo - Type	C	D2	d2	h2
UNI70 normale	139	95	M85x6	33
UNI80 normale	149	105	M95x6	33
UNI100 a norma UNI7421	174	126	M115x6	37
UNI125 normale	200	153	M140x6	37
UNI150 a norma UNI7421	227	180	M165x6	39

### Art. B11



Tipo - Type	D3	D4	h3
UNI45	M56x4	65	26
UNI70	M85x6	104	61

### Art. B49



Tipo - Type	D5
UNI70 Tipo pesante	M85x6
UNI80 Tipo pesante	M95x6
UNI100 Tipo pesante	M115x6
UNI125 Tipo pesante	M140x6