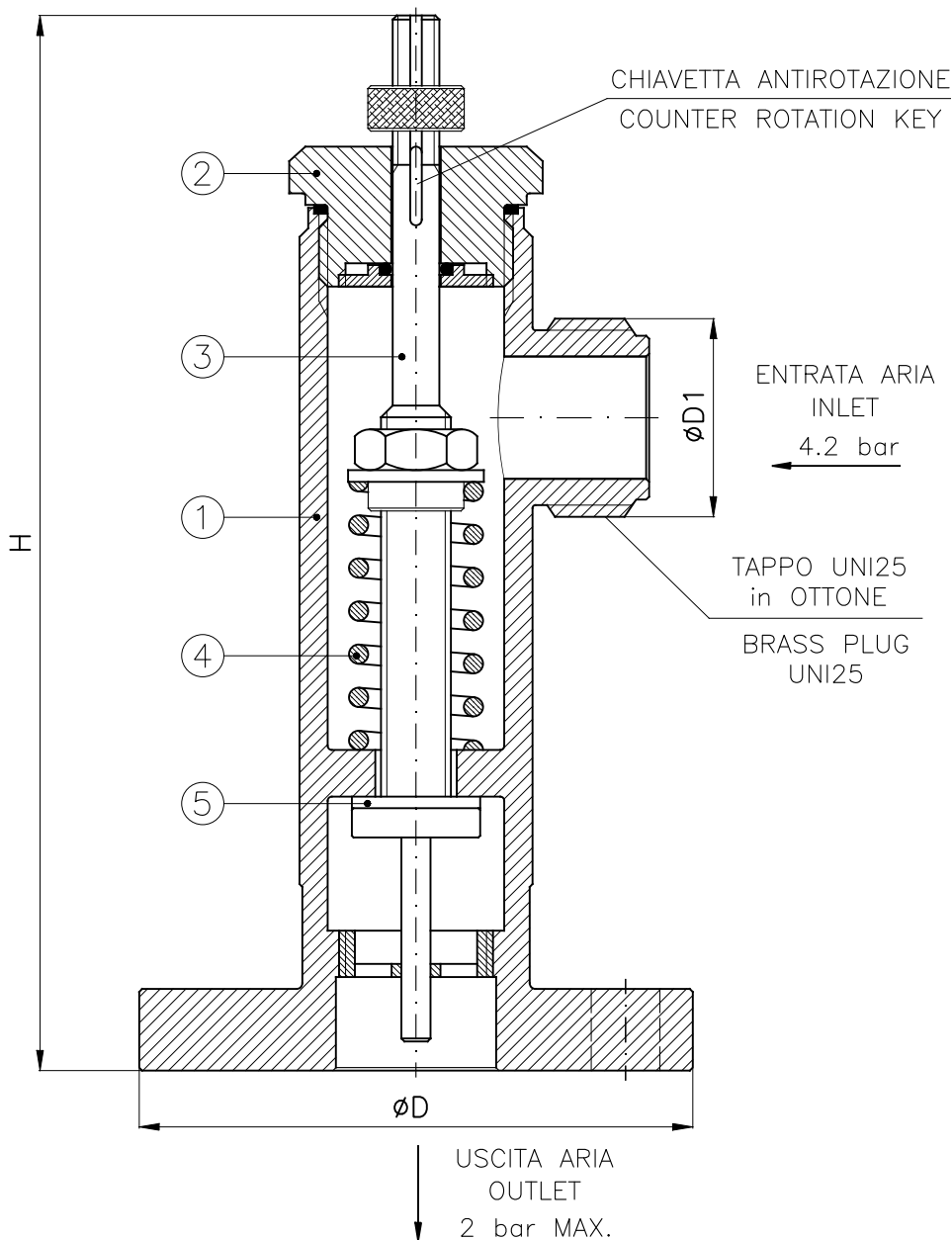
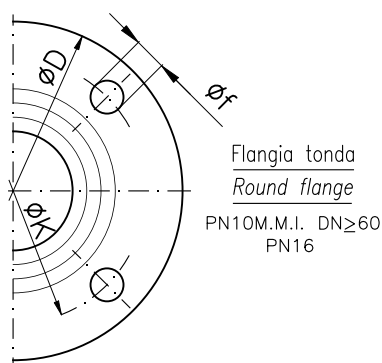
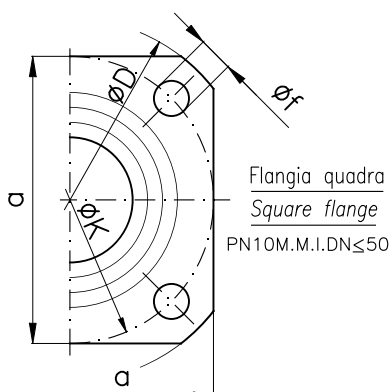




Conform to:
 UNI EN1092
 NM466801



DN	D1	H	PN6 - NP6				PN10 - NP10				PN10 M.M.I. - NP10 M.M.I.				PN16 - NP16				Weight (Kg)	
			D	K	f	Holes No.	D	K	f	Holes No.	a	D	K	f	Holes No.	D	K	f		Holes No.
15	34x3M	180	80	55	11	4	95	65	14	4	72	90	65	14	4	95	65	14	4	2.1
25	34x3M	180	100	75	11	4	115	85	14	4	78	95	70	14	4	115	85	14	4	2.6
40	34x3M	180	130	100	14	4	150	110	18	4	85	110	85	14	4	150	110	18	4	3.6



Combinazione materiali standard - Standard materials Combination

ITEM	DENOMINAZIONE DENOMINATION	MATERIALE MATERIAL
01	Body	Stainless steel AISI316 UNI EN10088
02	Bonnet	Stainless steel AISI316 UNI EN10088
03	Stem	Stainless steel AISI316 UNI EN10088
04	Spring	Stainless steel AISI316 UNI EN10088
05	Gasket	Viton

Nota: Combinazioni materiali non standard a richiesta
 Note: Non standard materials combinations on request