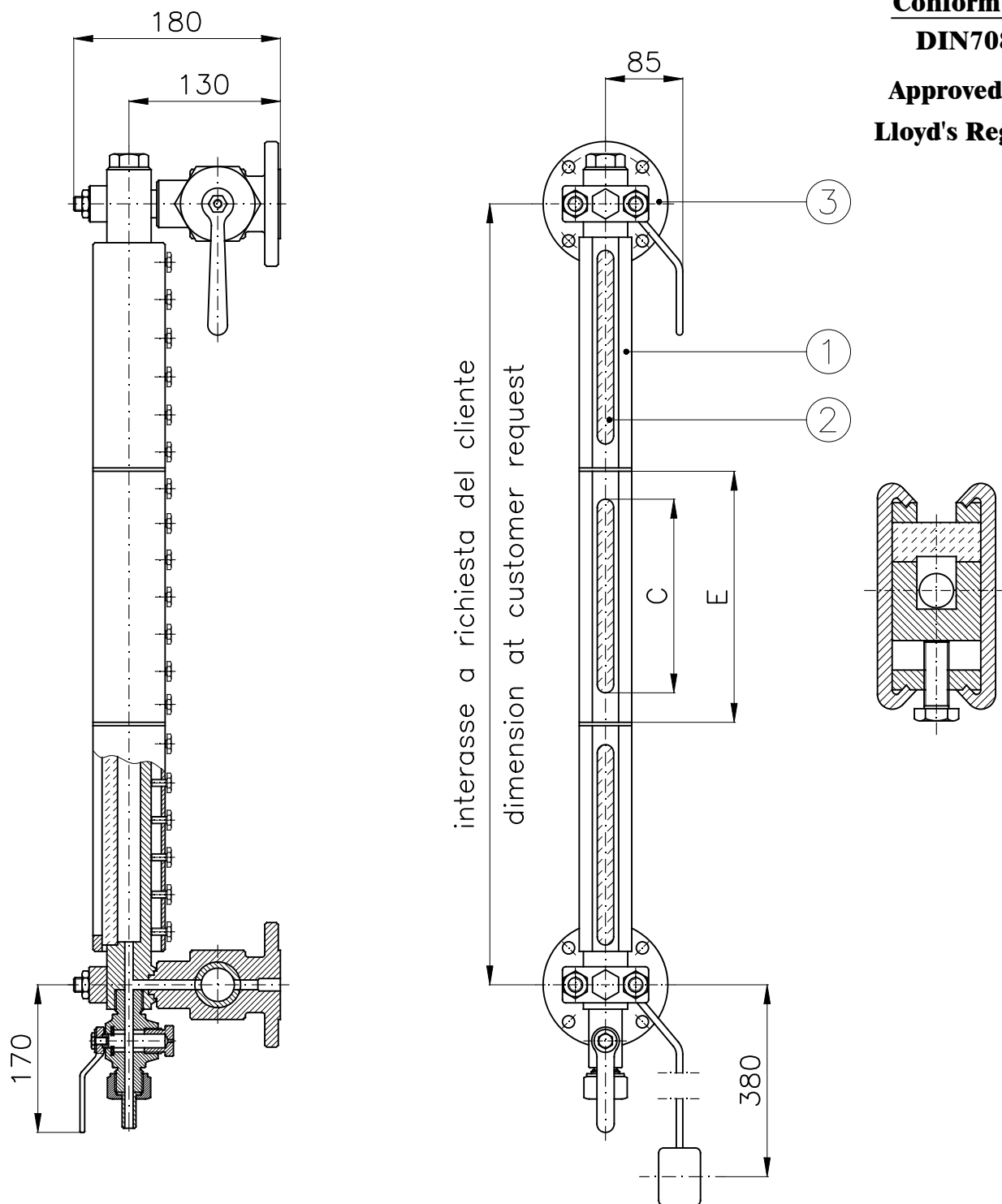




**Conform to:**  
**DIN7081**

**Approved by:**  
**Lloyd's Register**



Tipo Type	1	2	3	4	5	6	7	8	9
C	90	115	140	168	195	225	255	295	315
E	130	155	180	205	235	265	295	335	360
L.vetro glass L.	115	140	165	190	220	250	280	320	340

Combinazione materiali standard – Standard materials Combination		
ITEM	DENOMINAZIONE DENOMINATION	MATERIALE MATERIAL
01	Frame	Stainless steel ASTM A105 or AISI316L
02	Window	Borosilicate glass
03	Valves	Galvanized carbon steel
Nota: Combinazioni materiali non standard a richiesta Note: Non standard materials combinations on request		