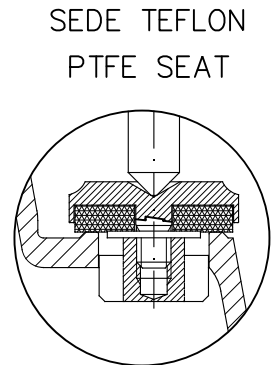
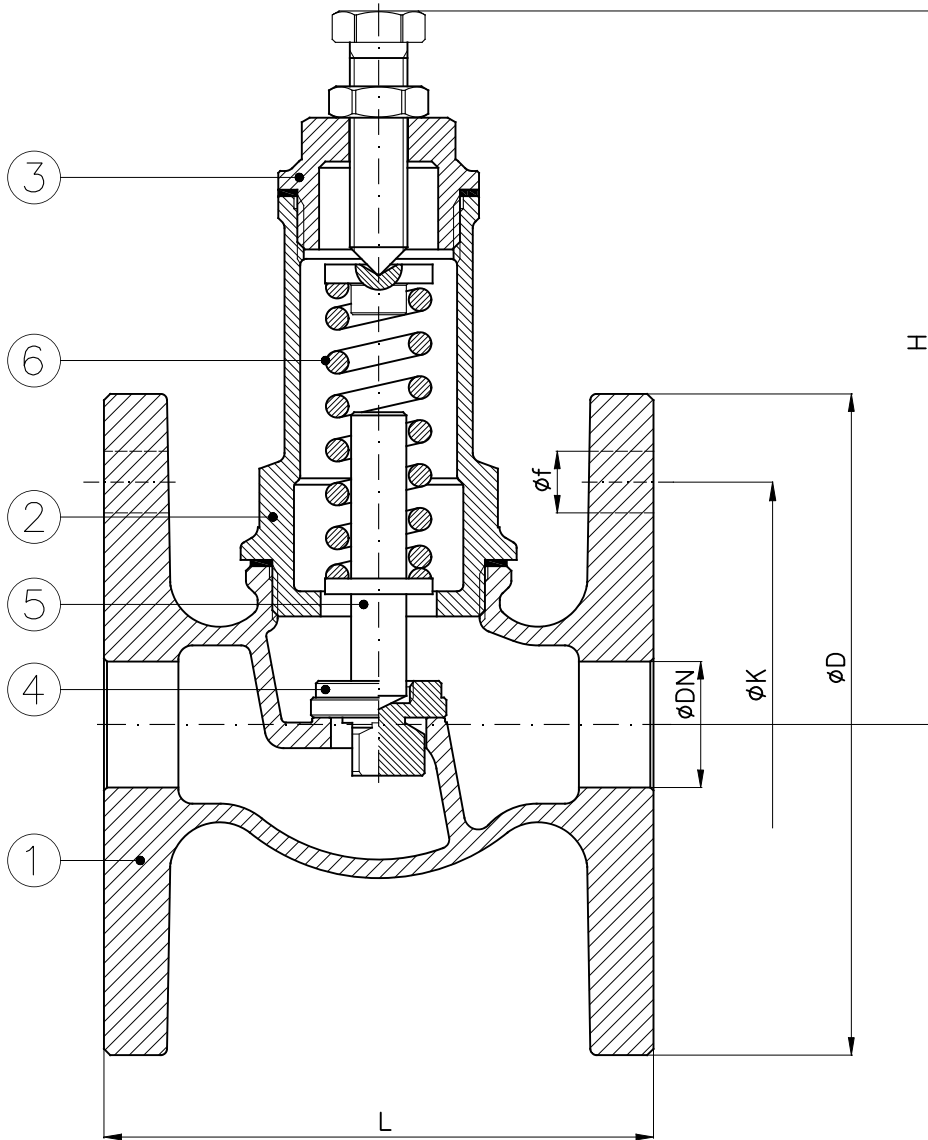




**Conform to:**  
**UNI EN1092**



| DN  | H   | L   | D   | K   | f  | Holes No. f | Weight (Kg) |
|-----|-----|-----|-----|-----|----|-------------|-------------|
| 15  | 93  | 70  | 95  | 65  | 14 | 4           | 1.3         |
| 20  | 120 | 90  | 105 | 75  | 14 | 4           | 2           |
| 25  | 137 | 99  | 115 | 85  | 14 | 4           | 2.6         |
| 32  | 163 | 108 | 140 | 100 | 18 | 4           | 5           |
| 40  | 172 | 130 | 150 | 110 | 18 | 4           | 5.9         |
| 50  | 192 | 147 | 165 | 125 | 18 | 4           | 7           |
| 65  | 228 | 190 | 185 | 145 | 18 | 4           | 11          |
| 80  | 235 | 207 | 200 | 160 | 18 | 8           | 14          |
| 100 | 297 | 220 | 220 | 180 | 18 | 8           | 21          |

| Combinazione materiali standard - Standard materials Combination  |                               |                                    |
|---|-------------------------------|------------------------------------|
| ITEM  | DENOMINAZIONE<br>DENOMINATION | B/O<br>MATERIALE<br>MATERIAL       |
| 01  | Body                          | Bronze UNI EN1982<br>G-CuSn5Zn5Pb5 |
| 02  | Bonnet                        | Brass<br>CW617N (OT58)             |
| 03  | Plug                          | Brass<br>CW617N (OT58)             |
| 04  | Disc (DN15÷50)                | Brass<br>CW617N (OT58)             |
| 04  | Disc (DN65÷100)               | Bronze UNI EN1982<br>G-CuSn5Zn5Pb5 |
| 05  | Stem                          | Brass<br>CW617N (OT58)             |
| 06  | Spring                        | Steel UNI EN10270                  |
| Nota: Combinazioni materiali non standard a richiesta<br>Note: Non standard materials combinations on request |                               |                                    |