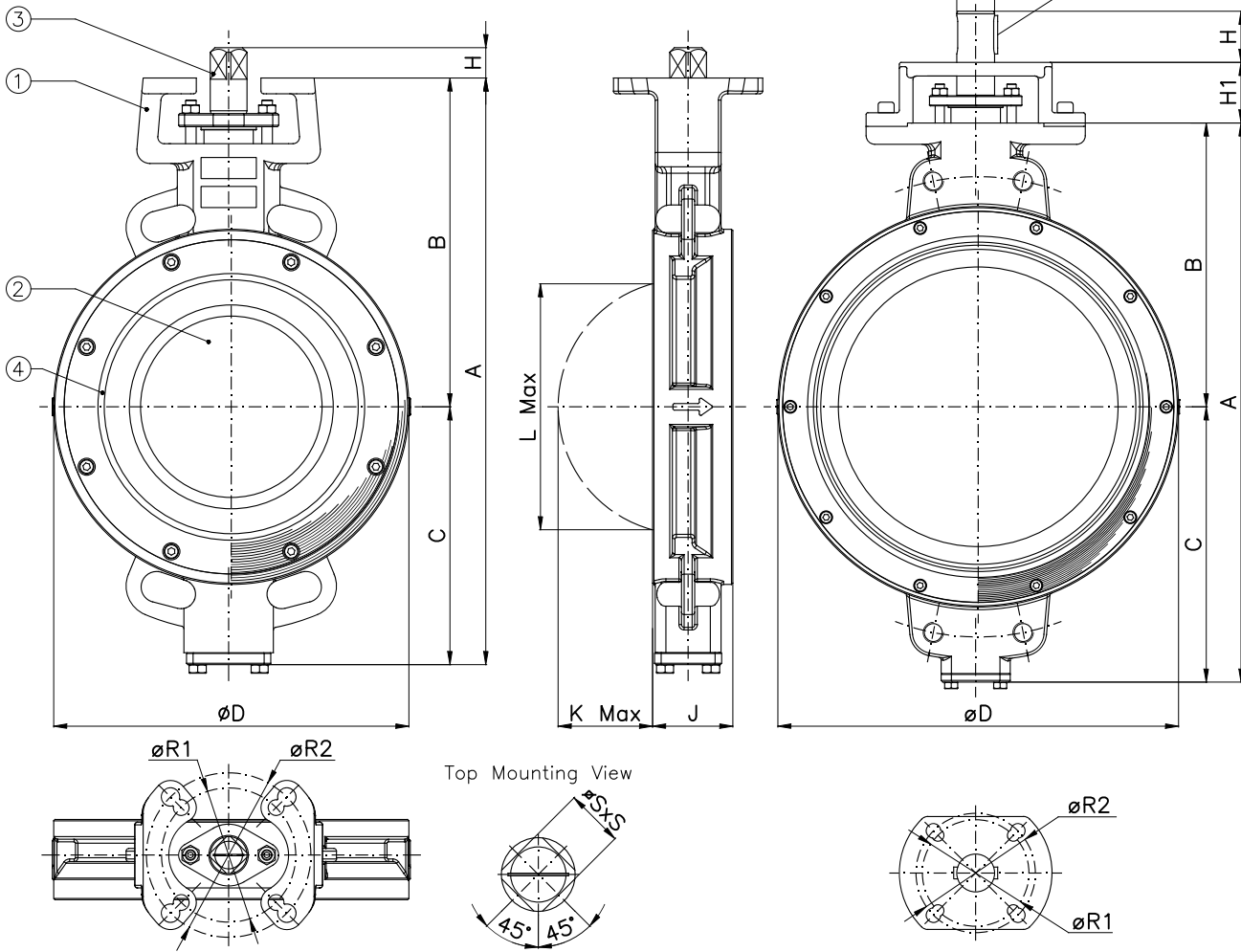




da DN80 a DN300
ND80 from to ND300

da DN350 a DN700
ND350 from to ND700

Conform to:
UNI EN1092
B16.47
B16.5
UNI EN1092
API 609



DN	A	B	C	D	F	J	H	H1	L Max	K Max	P	R1	R2	SxS	Weight (Kg)
80	3"	290	171	119	127	-	46	15	62.5	17.8	-	F07	F10	14x14	6.8
100	4"	322	188	134	157	-	52	15	89.2	28.6	-	F07	F10	14x14	9
125	5"	343	198.5	144.5	186	-	56	15	113.1	38.1	-	F07	F10	14x14	11.2
150	6"	379	218	161	215	-	56	18	140.4	51.2	-	F10	F12	17x17	14.9
200	8"	447	250	197	270	-	61	23	187.1	71.8	-	F10	F12	22x22	22.2
250	10"	535	302	233	320	-	68	23	236.3	94.6	-	F12	F14	22x22	32
300	12"	588	328	260	370	-	78	29	285.9	116.1	-	F12	F14	27x27	44.3
350	14"	603	306	297	420	35	92	60	330	133	8x7x45	F12	F14	-	71
400	16"	656	333	323	470	44.5	102	60	379	153	14x9x45	F12	F14	-	88.5
450	18"	709	368	341	532	44.5	114	60	426	168	14x9x45	F12	F14	-	125.6
500	20"	774	395	379	584	44.5	127	60	485	196	14x9x45	F12	F14	-	151.8
600	24"	929	472	457	685	55	154	90	565	220	16x10x80	F14	F16	-	248.5
700	28"	1057	530	527	795	55	165	90	665	275	16x10x80	F14	F16	-	373

Combinazione materiali standard - Standard materials Combination			
ITEM	DENOMINAZIONE DENOMINATION	A/316 MATERIALE MATERIAL	CF8M/316 MATERIALE MATERIAL
01	Body	Cast steel ASTM A215 gr. WCB	Stainless steel CF8M ASTM A351
02	Disc	Stainless steel CF8M ASTM A351	Stainless steel CF8M ASTM A351
03	Stem	Stainless steel AISI316 UNI EN10088	Stainless steel AISI316 UNI EN10088
04	Seat	PTFE + carbographite	PTFE + carbographite
Nota: Combinazioni materiali non standard a richiesta Note: Non standard materials combinations on request			

Azionabile mediante:
Leva manuale parzializzabile (10 posizioni)
Riduttore ad ingranaggi irreversibile a volantino
Attuatore pneumatico
Attuatore elettrico
Attuatore idraulico

It can be actuated by:
10 position irreversible leverlock handle
Reduction gears with handwheel
Pneumatic actuator
Electrical actuator
Hydraulic actuator