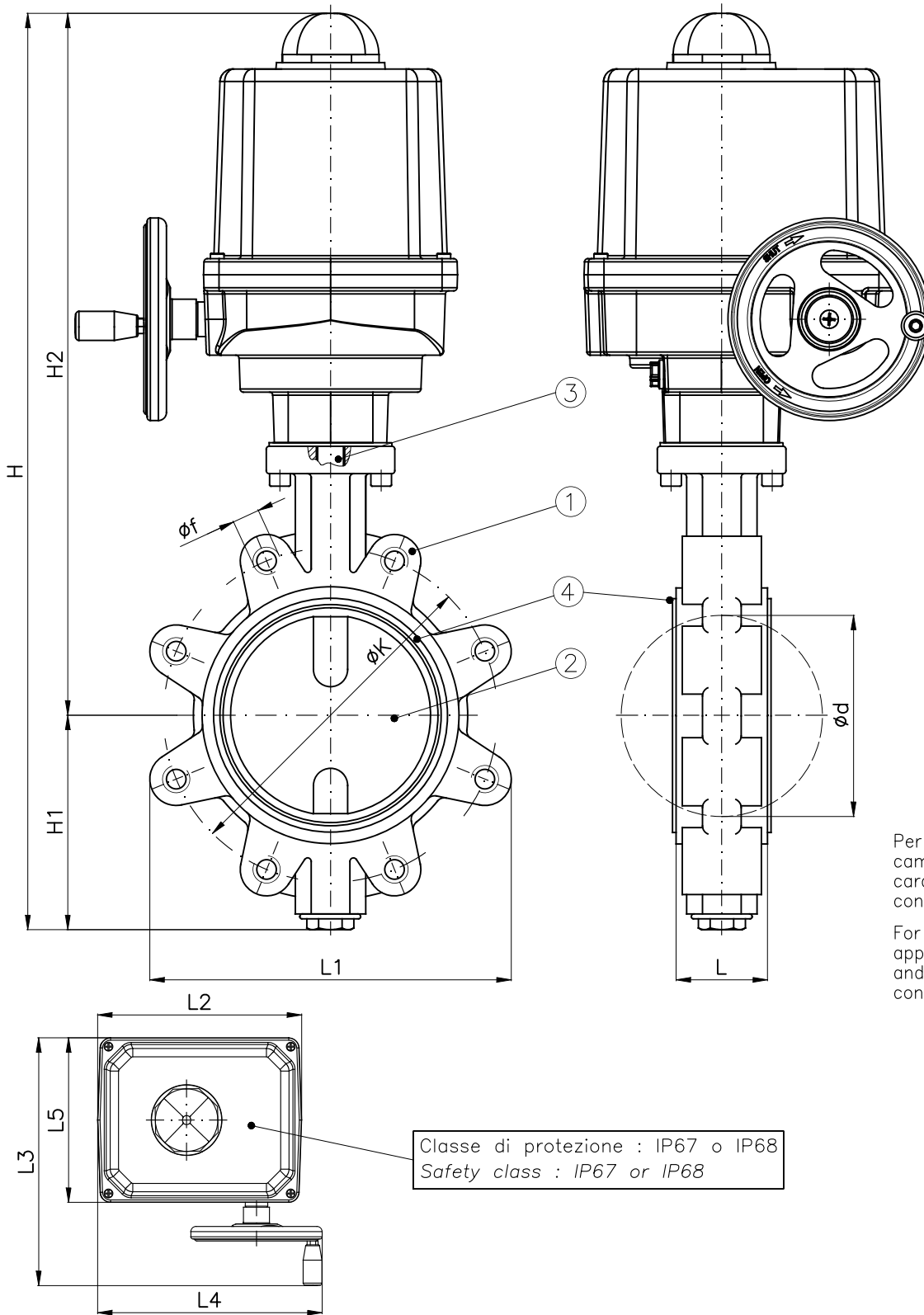




Valvole a farfalla tipo Lug PN6-PN10DIN-PN16-ANSI150 con motore elettrico
Butterfly valves Lug type NP6-NP10DIN-NP16-ANSI150 with electric motor

Tab.203.2
ME/PS

Conform to:
API STD 609
MSS SP 67
ANSI B16.5
ANSI B16.34
DIN3202
ISO 5752
UNI EN 1092



Pos.	Descrizione Description
1	Corpo Body
2	Disco Disc
3	Stelo Stem
4	Sede di tenuta Disc seat ring

Per combinazioni materiali, campo di applicazione, caratteristiche delle sedi di tenuta consultare Tab.203.2

For materials' combination, application range and seats' characteristics consult Tab.203.2

DN	Electric Motor	d	H	H1	H2	L	L1	L2	L3	L4	L5	PN6 - NP6			PN10 - NP10			PN16 - NP16			ANSI150			Weight (Kg)	
												K	f	Holes No. f	K	f	Holes No. f	K	f	Holes No. f	K	f	Holes No. f		
40	1"1/2	PSQ-E100	45.9	460	90	370	33	111	174	251	206	158	100	M12	4	110	M16	4	110	M16	4	98.5	M14	4	8.9
50	2"	PSQ-E100	56.6	476	96	380	43	120	174	251	206	158	110	M12	4	125	M16	4	125	M16	4	120.5	M18	4	9.6
65	2"1/2	PSQ-E100	70.5	503	108	395	46	138	174	251	206	158	130	M12	4	145	M16	4	145	M16	4	139.5	M18	4	11
80	3"	PSQ-E100	83.3	523	118	405	46	150	174	251	206	158	150	M16	4	160	M16	8	160	M16	8	152.4	M18	4	11.7
100	4"	PSQ103	105	552	132	420	52	213	196	263	216	158	170	M16	4	180	M16	8	180	M16	8	190.5	M18	8	15
125	5"	PSQ103	127.7	595	150	445	56	243	196	263	216	158	200	M16	8	210	M16	8	210	M16	8	216	M20	8	17.6
150	6"	PSQ203	152.2	720	165	555	56	267	227	305	277	186	225	M16	8	240	M20	8	240	M20	8	241.5	M20	8	22.6
200	8"	PSQ203	197.6	779	194	585	60	320	227	305	277	186	280	M16	8	295	M20	8	295	M20	12	298.5	M20	8	28.2
250	10"	PSQ503	245.9	915	220	695	68	402	278	416	328	235	335	M16	12	350	M20	12	355	M24	12	362	M22	12	54
300	12"	PSQ503	298.2	982	262	720	78	473	278	416	328	235	395	M20	12	400	M20	12	410	M24	12	432	M22	12	68