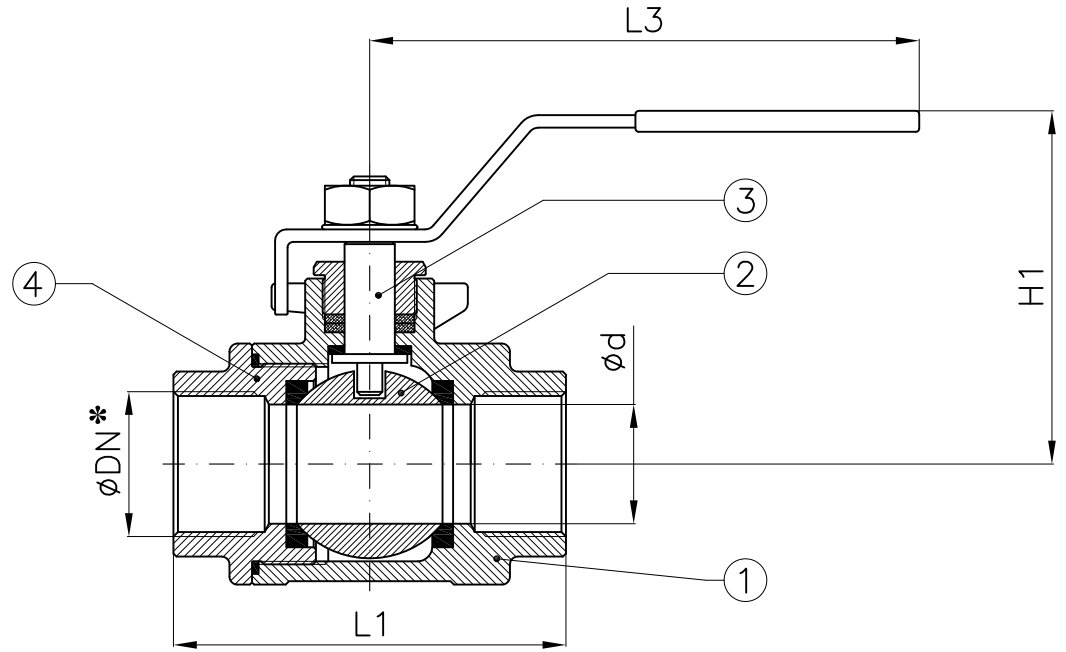
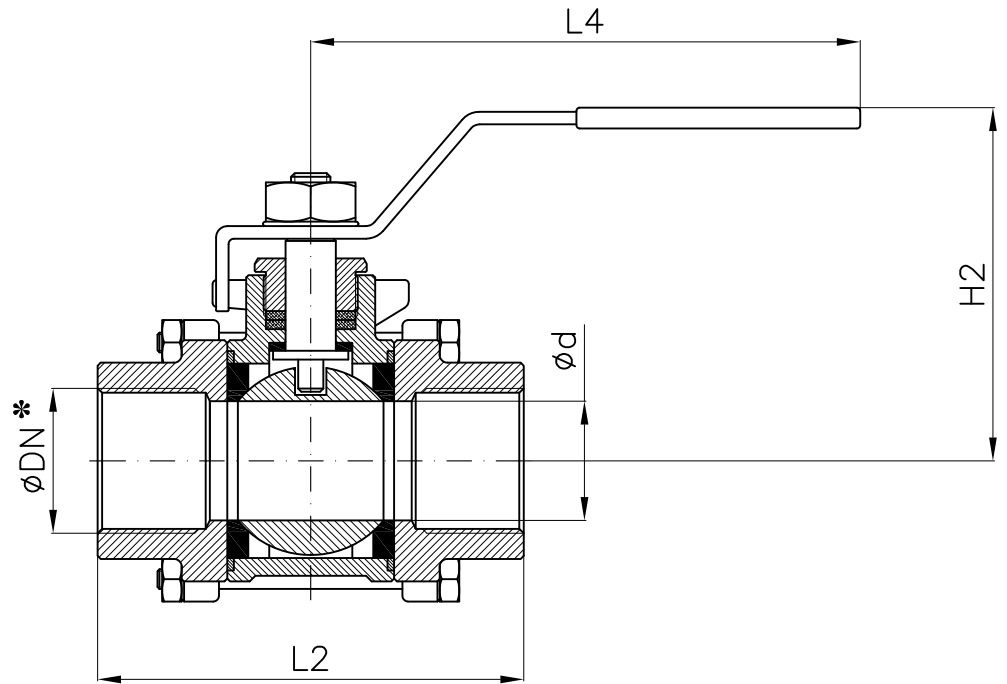




Art.2006



Art.2013



*: Filettatura GAS

*: BSPP threaded

DN	1/4"	3/8"	1/2"	3/4"	1"	1"1/4	1"1/2	2"	2"1/2	3"	4"
d	10	12	15	20	26	32	38	50	63	76	100
H1	64	64	66	66	80	86	97	105	146	155	-
H2	42	42	49	52	62	66	77	85	139	150	173
L1	50.8-56	50.8-56	58-66.5	65.8-76	78.7-90	90-108	105-111	124-126	146.2-162	163.7-186	260
L2	65	65	66	83	95	111	130	151	185	212	270
L3	93	93	93	125	143	143	200	200	250	250	-
L4	98	98	115	115	143	143	178	178	250	251	280
Weight (Kg)	0.24	0.25	0.31	0.46	0.77	1.12	1.74	2.65	4.50		

Combinazione materiali standard - Standard materials Combination		
ITEM	DENOMINAZIONE DENOMINATION	MATERIALE MATERIAL
01	Body	Stainless steel CF8M ASTM A351
02	Ball	Stainless steel CF8M ASTM A351
03	Stem	Stainless steel AISI316 UNI EN10088
04	Cap	Stainless steel CF8M ASTM A351
Nota: Combinazioni materiali non standard a richiesta Note: Non standard materials combinations on request		