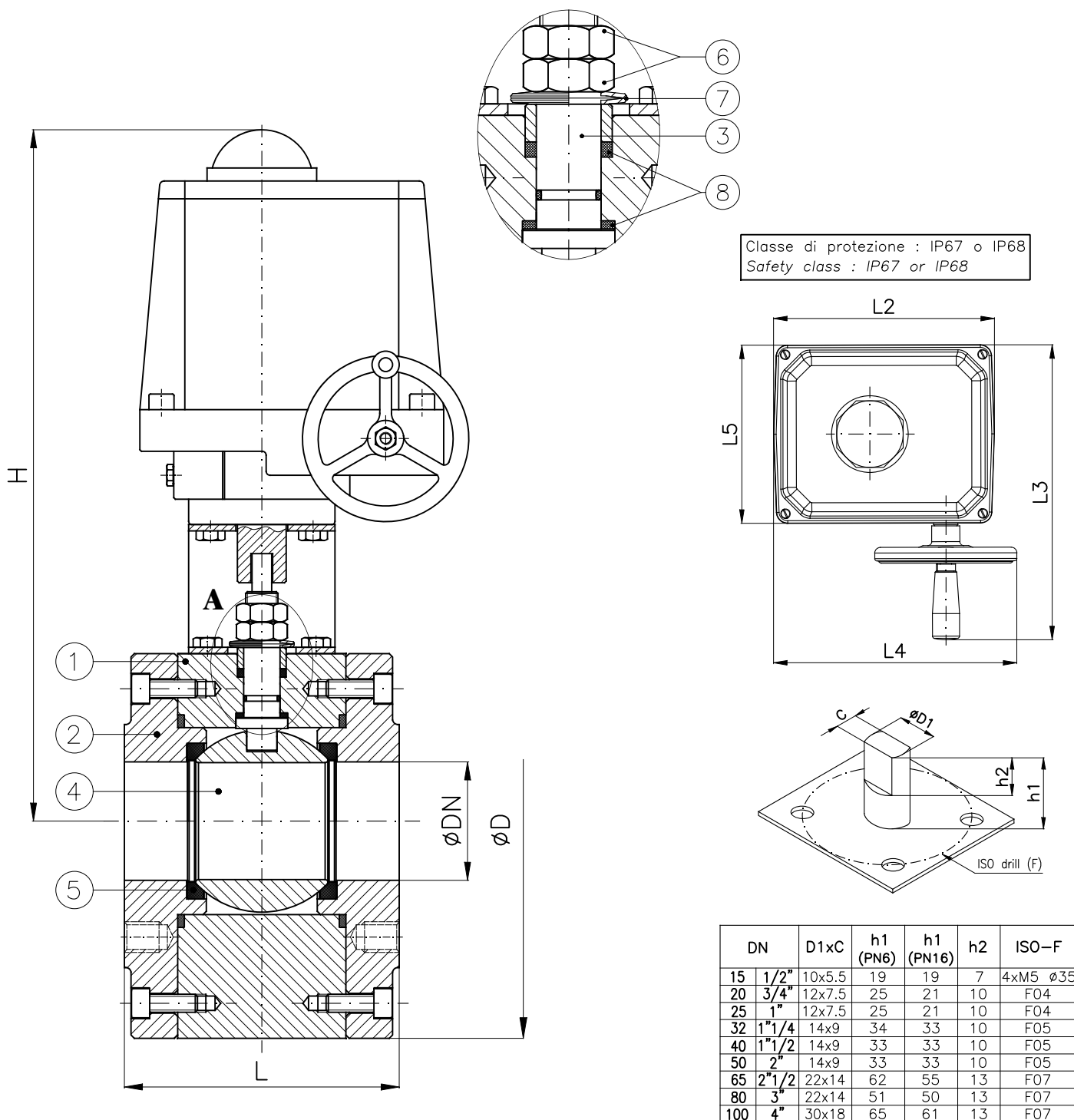




Conform to:
BS 5351 / ISO17292

DETAIL - DETTAGLIO "A"



DN	D1xC	h1 (PN6)	h1 (PN16)	h2	ISO-F
15	1/2"	10x5.5	19	7	4xM5 ø35
20	3/4"	12x7.5	25	10	F04
25	1"	12x7.5	25	10	F04
32	1 1/4"	14x9	34	10	F05
40	1 1/2"	14x9	33	10	F05
50	2"	14x9	33	10	F05
65	2 1/2"	22x14	62	13	F07
80	3"	22x14	51	13	F07
100	4"	30x18	65	13	F07

DN	Electric motor	D PN6	D PN16	D ANSI150	D ANSI300	H (-)	L	L2	L3	L4	L5	Weight (Kg)
15	PSQ-E100	69	88	79	88	365	35	174	251	206	158	8
20	PSQ-E100	79	98	89	108	370	42	174	251	206	158	9
25	PSQ-E100	88	108	99	118	375	46	174	251	206	158	10
32	PSQ-E100	108	128	110	128	385	55	174	251	206	158	11
40	PSQ-E100	118	138	120	138	390	66	174	251	206	158	13
50	PSQ-E100	128	148	153	158	395	72	174	251	206	158	15
65	PSQ103	148	168	168	178	405	98	196	263	216	158	22
80	PSQ203	178	188	190	198	510	120	227	305	277	186	27
100	PSQ503	200	220	220	230	605	140	278	416	328	235	37

Combinazione materiali standard - Standard materials Combination			
ITEM	DENOMINAZIONE DENOMINATION	A/316 MATERIALE MATERIAL	316/316 MATERIALE MATERIAL
01	Body	Forged steel ASTM A105N	Stainless steel AISI316 UNI EN10088
02	Lateral	Forged steel ASTM A105N	Stainless steel AISI316 UNI EN10088
03	Stem	Stainless steel AISI316 UNI EN10088	Stainless steel AISI316 UNI EN10088
04	Ball	Stainless steel AISI316/304 UNI EN10088	Stainless steel AISI316 UNI EN10088
05	Seat	PTFE/RPTFE	PTFE/RPTFE
06	Nuts	Galvanized Steel 8.8 EN20898-1	Galvanized Steel 8.8 EN20898-1
07	Socket springs	Galvanized Steel	Galvanized Steel
08	Stem seals	RPTFE	RPTFE

Nota: Combinazioni materiali non standard a richiesta
 Note: Non standard materials combinations on request