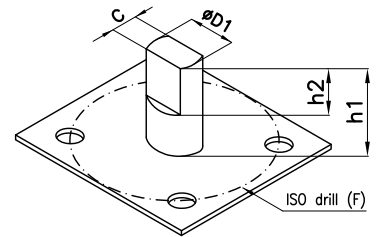
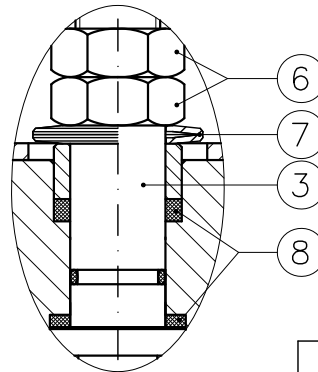
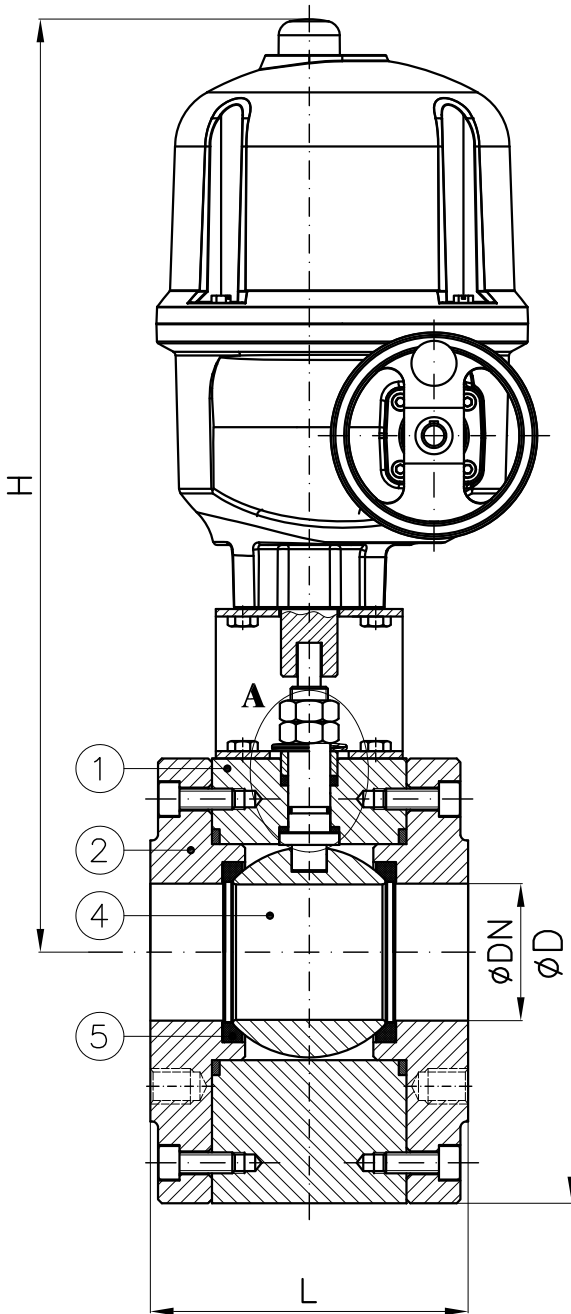




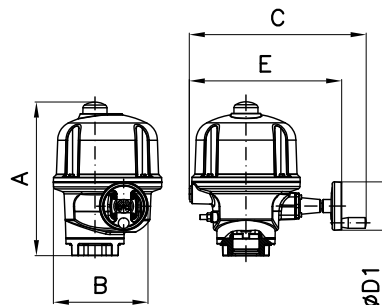
DETAIL - DETAGLIO "A"

Conform to:
BS 5351 / ISO17292



DN	D1xC	h1 (PN6)	h1 (PN16)	h2	ISO-F
15	1/2"	10x5.5	19	19	7 4xM5 ø35
20	3/4"	12x7.5	25	21	10 F04
25	1"	12x7.5	25	21	10 F04
32	1 1/4"	14x9	34	33	10 F05
40	1 1/2"	14x9	33	33	10 F05
50	2"	14x9	33	33	10 F05
65	2 1/2"	22x14	62	55	13 F07
80	3"	22x14	51	50	13 F07
100	4"	30x18	65	61	13 F07

DN	Electric motor	D PN6	D PN16	D ANSI150	D ANSI300	H (~)	L	Weight (Kg)	
15	1/2"	AQ5	69	88	79	88	380	35	12
20	3/4"	AQ5	79	98	89	108	385	42	12.5
25	1"	AQ5	88	108	99	118	390	46	13
32	1 1/4"	AQ5	108	128	110	128	400	55	14
40	1 1/2"	AQ5	118	138	120	138	410	66	17.5
50	2"	AQ10	128	148	153	158	415	72	19
65	2 1/2"	AQ15	148	168	168	178	425	98	26
80	3"	AQ15	178	188	190	198	440	120	31
100	4"	AQ25	200	220	220	230	505	140	44



	A	B	C	E	øD1
AQ5/10/15	286	184	276	225	100
AQ25	317	224	365	315	100

Combinazione materiali standard - Standard materials Combination					
ITEM	DENOMINAZIONE DENOMINATION	A/316 MATERIALE MATERIAL	316/316 MATERIALE MATERIAL	B/316 MATERIALE MATERIAL	B/B MATERIALE MATERIAL
01	Body	Forged steel ASTM A105N	Stainless steel AISI316 UNI EN10088	Bronze UNI EN1982 G-CuSn5Zn5Pb5	Bronze UNI EN1982 G-CuSn5Zn5Pb5
02	Lateral	Forged steel ASTM A105N	Stainless steel AISI316 UNI EN10088	Bronze UNI EN1982 G-CuSn5Zn5Pb5	Bronze UNI EN1982 G-CuSn5Zn5Pb5
03	Stem	Stainless steel AISI316 UNI EN10088	Stainless steel AISI316 UNI EN10088	Stainless steel AISI316 UNI EN10088	Aluminum Bronze (ND₂*) Bronze UNI EN1982 (ND2 1/2 to 4")
04	Ball	Stainless steel AISI316/304 UNI EN10088	Stainless steel AISI316 UNI EN10088	Stainless steel AISI316 UNI EN10088	Bronze UNI EN1982 G-CuSn5Zn5Pb5
05	Seat	PTFE/RPTFE	PTFE/RPTFE	PTFE/RPTFE	PTFE/RPTFE
06	Nuts	Galvanized Steel 8.8 EN20898-1	Galvanized Steel 8.8 EN20898-1	Galvanized Steel 8.8 EN20898-1	Galvanized Steel 8.8 EN20898-1
07	Socket springs	Galvanized Steel	Galvanized Steel	Galvanized Steel	Galvanized Steel
08	Stem seals	RPTFE	RPTFE	RPTFE	RPTFE

Nota: Combinazioni materiali non standard a richiesta
Note: Non standard materials combinations on request