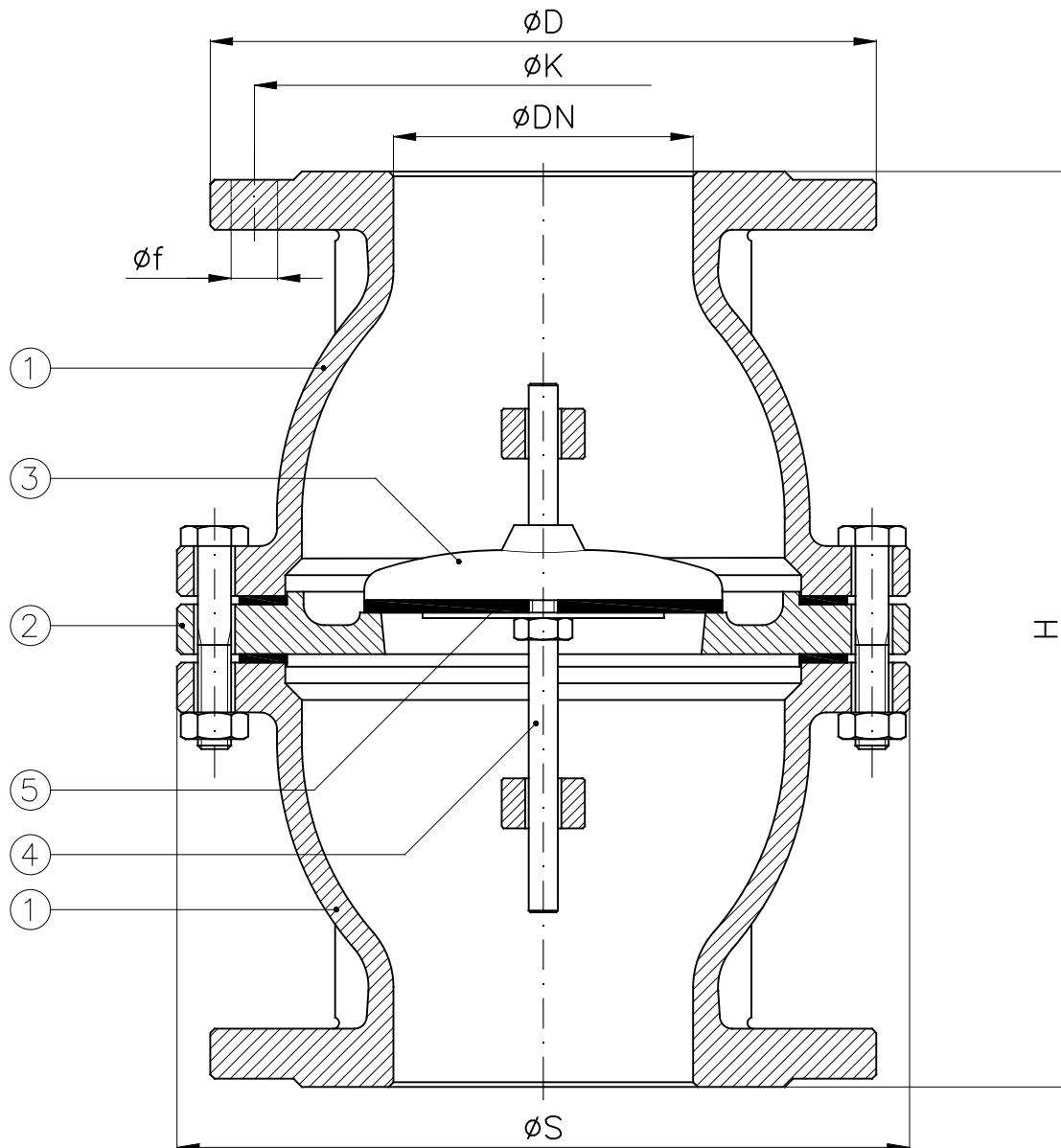




**Conform to:**  
**UNI EN1092**



DN	H	S	D	K	f	Holes No. f	Weight (Kg)
40	180	150	150	110	18	4	7
50	200	165	165	125	18	4	11
65	240	185	185	145	18	4	14
80	260	200	200	160	18	8	18
100	300	240	220	180	18	8	24
125	350	275	250	210	18	8	35
150	400	315	285	240	22	8	49
200	500	390	340	295	22	12	81
250	600	485	405	355	26	12	153
300	700	565	460	410	26	12	216

Combinazione materiali standard - Standard materials Combination		
ITEM	DENOMINAZIONE DENOMINATION	MATERIALE MATERIAL
01	Body	Cast iron UNI EN1561 EN-GJL-250
02	Seat disc	Cast iron UNI EN1561 EN-GJL-250
03	Disc	Cast iron UNI EN1561 EN-GJL-250
04	Slide bar	Brass CW617N (0T58)
05	Gasket	Fiber reinforced rubber

Nota: Combinazioni materiali non standard a richiesta  
 Note: Non standard materials combinations on request