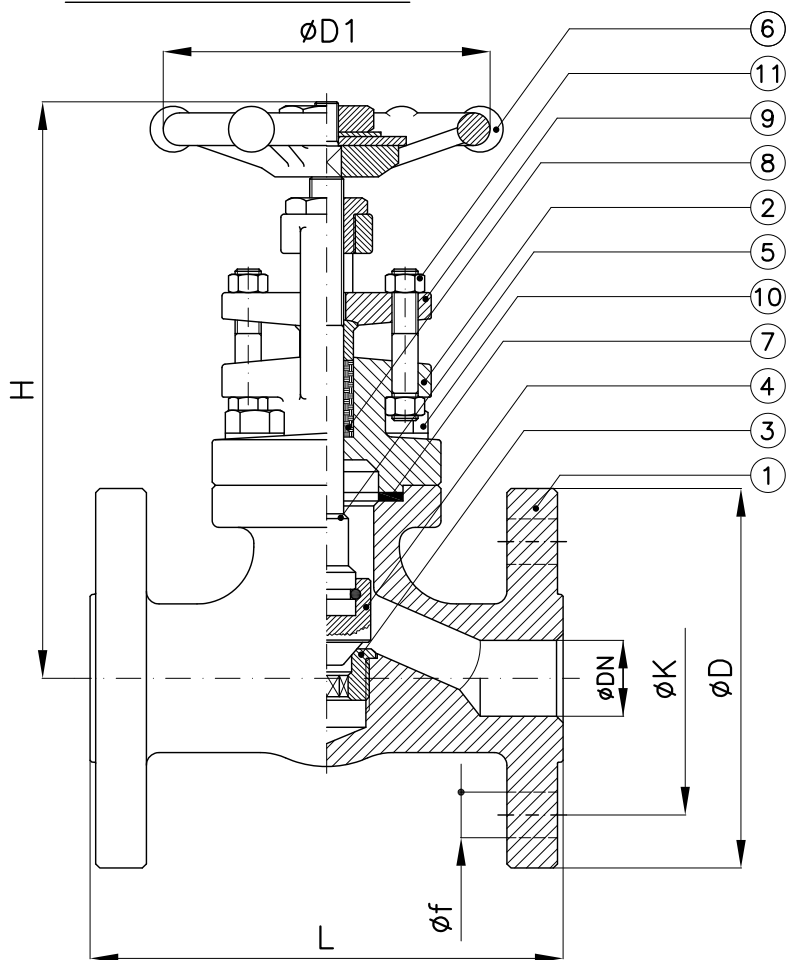


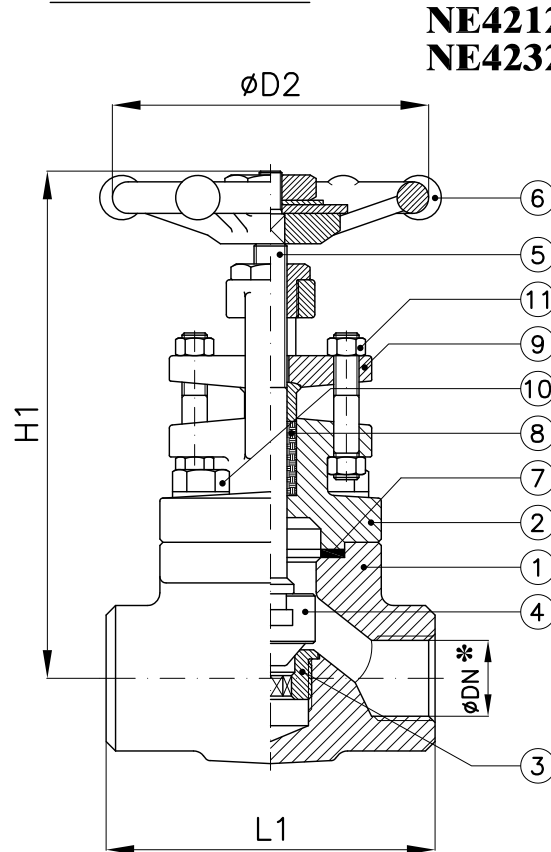


**Conform to:**  
**ANSI B16.5**  
**NE421245**  
**NE423245**

Type 199GL-FL



Type 199GL



\*: Filettatura GAS

\*: BSSP threaded

DN	ANSI150								ANSI300								CLASS 800			
	D1	H max(≈) aperta/open	L	D	K	f	Holes No. f	Weight (Kg)	D1	H max(≈) aperta/open	L	D	K	f	Holes No. f	Weight (Kg)	D2	H1 max(≈) aperta/open	L1	Weight (Kg)
1/4"	-	-	-	-	-	-	-	-	-	-	-	-	-	-	-	-	80	155	80	1.8
3/8"	-	-	-	-	-	-	-	-	-	-	-	-	-	-	-	-	80	160	80	1.8
1/2"	80	185	108	88.9	60	16	4	3.2	80	185	152	95	67	16	4	3.5	80	160	80	2.0
3/4"	80	195	118	98.4	70	16	4	4.3	80	160	178	117	83	19	4	4.8	80	170	90	3.3
1"	100	220	127	108	79	16	4	5.9	100	190	203	124	89	19	4	7.2	100	200	110	5.4
1 1/4"	140	220	140	118	89	16	4	10.0	140	260	216	133	98	19	4	12.0	120	235	127	7.9
1 1/2"	140	270	165	127	98	16	4	10.8	140	260	229	156	114	22	4	14.5	140	270	155	10.8
2"	170	295	203	152	121	19	4	18.0	170	285	267	165	127	19	8	18.0	170	290	170	19.0

Combinazione materiali standard - Standard materials Combination							
ITEM	DENOMINAZIONE DENOMINATION	A/420 MATERIALE MATERIAL	316/316 MATERIALE MATERIAL	ITEM	DENOMINAZIONE DENOMINATION	A/420 MATERIALE MATERIAL	316/316 MATERIALE MATERIAL
01	Body	Forged steel ASTM A105N	Stainless steel ASTM A182 (F316)	07	Gasket	F316 + Graphite	F316 + Graphite
02	Bonnet	Forged steel ASTM A105N	Stainless steel ASTM A182 (F316)	08	Packing	Graphoil	Graphoil
03	Body seat	Stainless steel ASTM A182 (F6)	Stainless steel ASTM A182 (F316)	09	Gland bushing	Forged steel ASTM A105N	Stainless steel ASTM A182 (F316)
04	Disc	Stainless steel ASTM A182 (F6)	Stainless steel ASTM A182 (F316)	10	Bonnet stud bolt	ASTM A193 B7	Stainless steel B8M
05	Stem	Stainless steel ASTM A182 (F6)	Stainless steel ASTM A182 (F316)	11	Nut	ASTM A194 2H	Stainless steel Gr.8M
06	Handwheel	Sheet of carbon steel	Sheet of carbon steel				

**Nota:** Combinazioni materiali non standard a richiesta  
**Note:** Non standard materials combinations on request