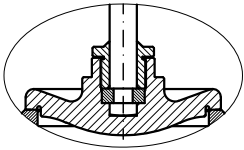


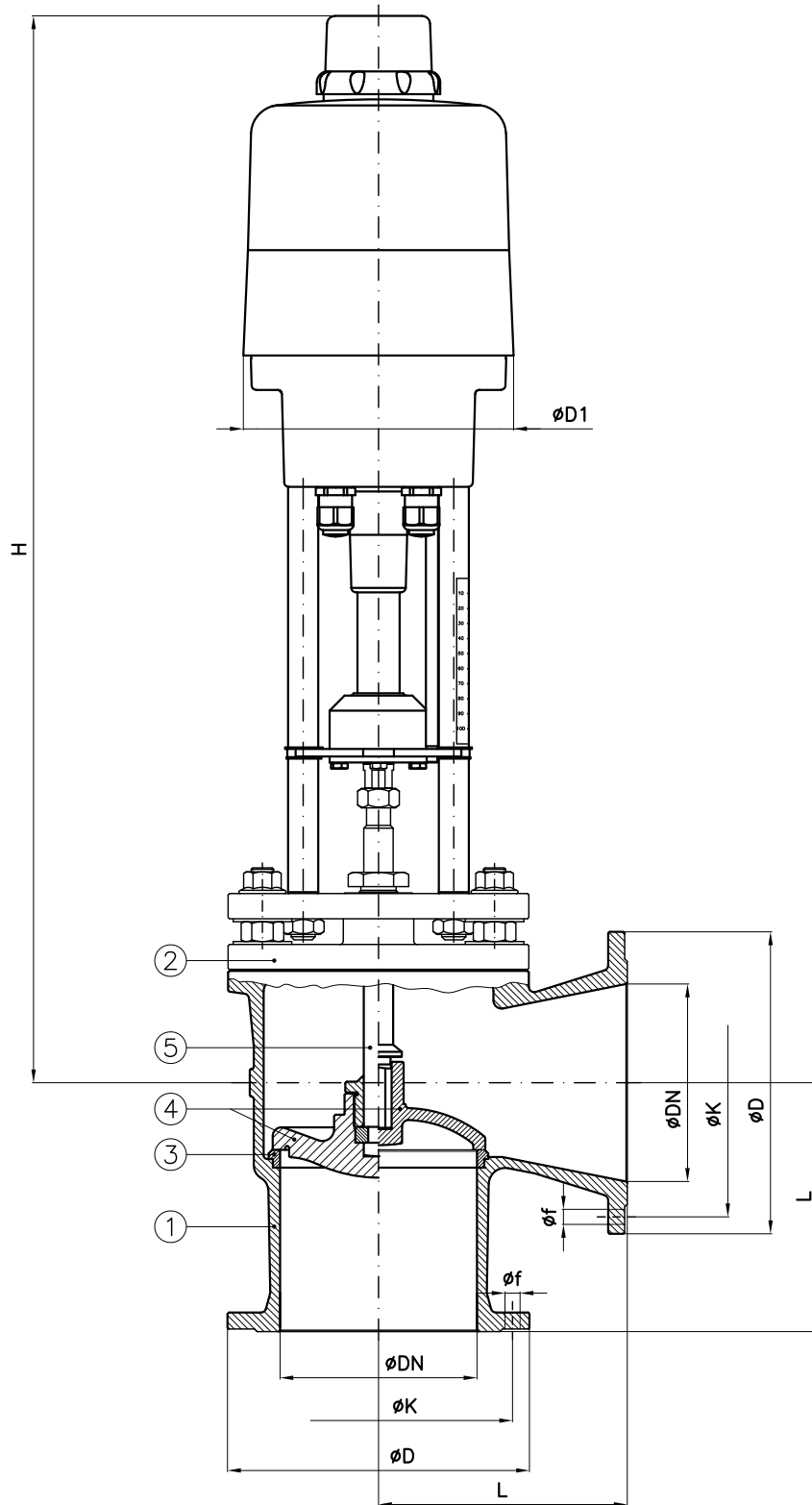
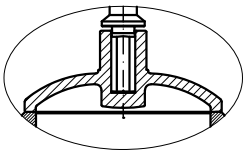


Conform to:
UNI EN1092
DIN 3202

Esecuzione comandata
 SDSL type



Esecuzione semiautomatica
 SDNR type



DN	D1	H (~)	L	D	K	f	Holes NO. f	Electric motor
40	180	630	95	130	100	14	4	PSL-210
50	180	630	100	140	110	14	4	PSL-210
65	180	640	120	160	130	14	4	PSL-210
80	180	655	130	190	150	18	4	PSL-210
100	180	725	150	210	170	18	4	PSL-214
125	250	875	175	240	200	18	8	PSL-320
150	250	895	200	265	225	18	8	PSL-320

Combinazione materiali standard - Standard materials Combination					
ITEM	DENOMINAZIONE DENOMINATION	A/316 MATERIALE MATERIALE	B/316 MATERIALE MATERIALE	B/B MATERIALE MATERIALE	GS/316 MATERIALE MATERIALE
01	Body	Cast steel GP240-GH UNI EN10213	Bronze UNI EN1982 G-CuSn5Zn5Pb5	Bronze UNI EN1982 G-CuSn5Zn5Pb5	Nodular cast iron EN-GJS-400-15U UNI EN1563
02	Bonnet	Cast steel GP240-GH UNI EN10213	Bronze UNI EN1982 G-CuSn5Zn5Pb5	Bronze UNI EN1982 G-CuSn5Zn5Pb5	Nodular cast iron EN-GJS-400-15U UNI EN1563
03	Body seat	Stainless steel AISI316 UNI EN10088	Bronze UNI EN1982 G-CuSn5Zn5Pb5	Bronze UNI EN1982 G-CuSn5Zn5Pb5	Stainless steel AISI316 UNI EN10088
04	Disc (≤ DN80)	Stainless steel AISI316 UNI EN10088	Stainless steel AISI316 UNI EN10088	Bronze UNI EN1982 G-CuSn5Zn5Pb5	Stainless steel AISI316 UNI EN10088
04	Disc (≥ DN100)	Cast steel GP240-GH UNI EN10213 plus AISI316 facing welding	Stainless steel AISI316 UNI EN10088	Bronze UNI EN1982 G-CuSn5Zn5Pb5	Cast steel GP240-GH UNI EN10213 plus AISI316 facing welding
05	Stem	Stainless steel AISI316 UNI EN10088	Stainless steel AISI316 UNI EN10088	Stainless steel AISI316 UNI EN10088	Stainless steel AISI316 UNI EN10088

Combinazioni materiali non standard a richiesta
 Note: Non standard materials combinations on request